
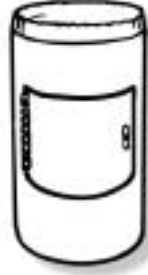


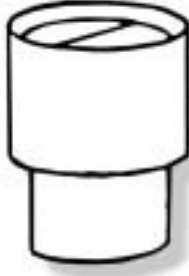
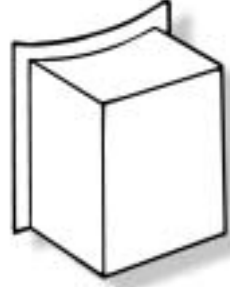


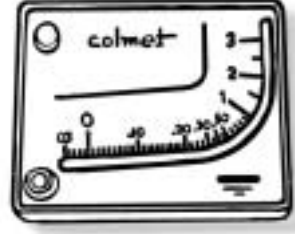


accessories

DUCT WORK AND ACCESSORIES


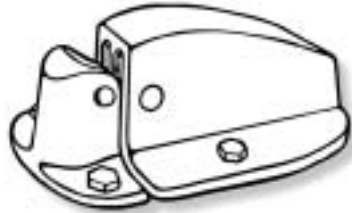
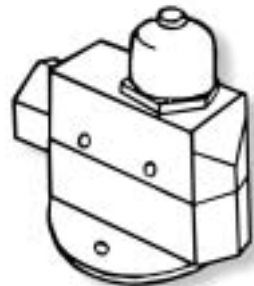
	PLAIN DUCT			PLAIN DUCT WITH CLEANOUT DOOR			ELBOW DUCT			
	Part No.	Dia.		Part No.	Dia.		90° Elbow		45° Elbow	
	PP14	14"		PPD14	14"		Part No.	Dia.	Part No.	Dia.
	PP18	18"		PPD18	18"		90EL14	14"	45EL14	14"
	PP24	24"		PPD24	24"		90EL18	18"	45EL18	18"
	PP30	30"		PPD30	30"		90EL24	24"	45EL24	24"
PP42	42"	PPD42	42"	90EL30	30"	45EL30	30"			
PP48	48"	PPD48	48"	903L42	42"	45EL42	42"			
				90EL48	48"	45EL48	48"			




	SPIRAL DUCT			AUTOMATIC ROOF VENTILATOR			MOTOR COVER	
	Part No.	Dia.		Part No.	Dia.		Part No.	Dia.
	SP14	14"		ARV14	14"		MC14	14"
	SP18	18"		ARV18	18"		MC18	18"
	SP24	24"		ARV24	24"		MC24	24"
	SP30	30"		ARV30	30"		MC30	30"
SP42	42"	ARV42	42"	MC42	42"			
SP48	48"	ARV48	48"	MC48	48"			

	FILTER GRID		AIR FILTER	
	20 X 20		Intake 20 x 20 x 1	

MORE CHARTS WITH DIMENSIONS AND DRAWINGS ON REVERSE SIDE

DUCT WORK AND ACCESSORIES (continued)

<p>CONNECTING RING</p> 	<table border="1"> <thead> <tr> <th>Part No.</th> <th>Dia.</th> </tr> </thead> <tbody> <tr> <td>CNX14</td> <td>14"</td> </tr> <tr> <td>CNX18</td> <td>18"</td> </tr> <tr> <td>CNX24</td> <td>24"</td> </tr> <tr> <td>CNX30</td> <td>30"</td> </tr> <tr> <td>CNX42</td> <td>42"</td> </tr> <tr> <td>CNX48</td> <td>48"</td> </tr> </tbody> </table>	Part No.	Dia.	CNX14	14"	CNX18	18"	CNX24	24"	CNX30	30"	CNX42	42"	CNX48	48"	<p>PANIC LATCH</p> 	 <p>LIMIT SWITCH</p>
Part No.	Dia.																
CNX14	14"																
CNX18	18"																
CNX24	24"																
CNX30	30"																
CNX42	42"																
CNX48	48"																

 <p>FAN STAND</p> <table border="1"> <thead> <tr> <th>Part No.</th> <th>Dia.</th> </tr> </thead> <tbody> <tr> <td>FS14</td> <td>14"</td> </tr> <tr> <td>FS18</td> <td>18"</td> </tr> <tr> <td>FS24</td> <td>24"</td> </tr> <tr> <td>FS30</td> <td>30"</td> </tr> <tr> <td>FS42</td> <td>42"</td> </tr> <tr> <td>FS48</td> <td>48"</td> </tr> </tbody> </table>	Part No.	Dia.	FS14	14"	FS18	18"	FS24	24"	FS30	30"	FS42	42"	FS48	48"	 <p>ROOF FLANGE</p> <table border="1"> <thead> <tr> <th colspan="2">Flat Roof</th> <th colspan="2">Pitched Roof</th> </tr> <tr> <th>Part No.</th> <th>Dia.</th> <th>Part No.</th> <th>Dia.</th> </tr> </thead> <tbody> <tr> <td>FRF14</td> <td>14"</td> <td>PRF14</td> <td>14"</td> </tr> <tr> <td>FRF18</td> <td>18"</td> <td>PRF18</td> <td>18"</td> </tr> <tr> <td>FRF24</td> <td>24"</td> <td>PRF24</td> <td>24"</td> </tr> <tr> <td>FRF30</td> <td>30"</td> <td>PRF30</td> <td>30"</td> </tr> <tr> <td>FRF42</td> <td>42"</td> <td>PRF42</td> <td>42"</td> </tr> <tr> <td>FRF48</td> <td>48"</td> <td>PRF48</td> <td>48"</td> </tr> </tbody> </table>	Flat Roof		Pitched Roof		Part No.	Dia.	Part No.	Dia.	FRF14	14"	PRF14	14"	FRF18	18"	PRF18	18"	FRF24	24"	PRF24	24"	FRF30	30"	PRF30	30"	FRF42	42"	PRF42	42"	FRF48	48"	PRF48	48"	 <p>AUTOMATIC SHUTTER</p> <table border="1"> <thead> <tr> <th>Part No.</th> <th>Dia.</th> </tr> </thead> <tbody> <tr> <td>AS14</td> <td>14"</td> </tr> <tr> <td>AS18</td> <td>18"</td> </tr> <tr> <td>AS24</td> <td>24"</td> </tr> <tr> <td>AS30</td> <td>30"</td> </tr> <tr> <td>AS42</td> <td>42"</td> </tr> <tr> <td>AS48</td> <td>48"</td> </tr> </tbody> </table>	Part No.	Dia.	AS14	14"	AS18	18"	AS24	24"	AS30	30"	AS42	42"	AS48	48"
Part No.	Dia.																																																													
FS14	14"																																																													
FS18	18"																																																													
FS24	24"																																																													
FS30	30"																																																													
FS42	42"																																																													
FS48	48"																																																													
Flat Roof		Pitched Roof																																																												
Part No.	Dia.	Part No.	Dia.																																																											
FRF14	14"	PRF14	14"																																																											
FRF18	18"	PRF18	18"																																																											
FRF24	24"	PRF24	24"																																																											
FRF30	30"	PRF30	30"																																																											
FRF42	42"	PRF42	42"																																																											
FRF48	48"	PRF48	48"																																																											
Part No.	Dia.																																																													
AS14	14"																																																													
AS18	18"																																																													
AS24	24"																																																													
AS30	30"																																																													
AS42	42"																																																													
AS48	48"																																																													



AutoQuip Canada Ltd.
 e-mail: sales@autoquip.ca
 toll free: 866-325-2886 // www.autoquip.ca

COL-MET
 spray booths
 expect more